



### Product Description

DENZ B11 Concentric Series 13 Butterfly Valve design ensures maintenance-free operation over time. Low weight and compact construction. The centered disc configuration allows complete sealing in both flow directions, as well as being hydrodynamic; thus reducing load losses and thus energy consumption. The absence of internal projections prevents turbulence in the valve body and allows a cleaning effect.

The elastomer prevents deformation, the possibility of working under vacuum conditions and allows sealing without the need for a gasket. The double flange design allows installation at the end of the line.



### Production References

Size Range	DN100-1200
Pressure Range	PN10-16-25
Temperature	EPDM: +80°C NBR: 60°C VITON: 120°C
Design	EN 593 (Concentric)
Face to Face	EN 558 Series 13
Connection	EN 1092-2 Flanged
Coating	Electrostatic Powder Epoxy
Testing	EN12266-1
Marking	EN 19

### Application Areas

- Water treatment
- Desalination plants
- Distribution systems
- Potable water networks
- Petrochemical plants
- Pumping stations
- HVAC systems



Irrigation



Potable Water



Waste Water



Industry

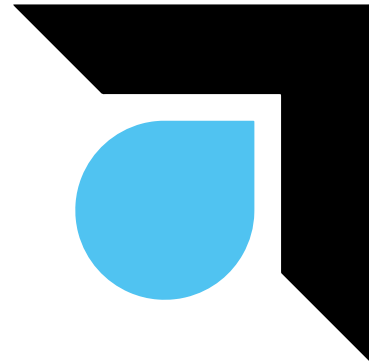


Operation	
Manual	Bareshaft
	Gearbox with ISO top flange
	Manual Gearbox
Electrical actuator	Multiturn electrical actuator on/off
	Multiturn electrical actuator regulating
	Quarter turn electrical actuator on/off
Pneumatic actuator	Pneumatic actuator on/off
	Pneumatic actuator & positioner
	Pneumatic actuator + gearbox and emergency brake
Gearbox accessories	Position indicator
	Limit switch

## Product Features



- ENGJS500-7 Ductile iron body and bonnet for high strength and impact resistance.
- In order to prevent corrosion, the valve body is completely covered with rubber inside, preventing fluid from coming in contact with it.
- One-piece stainless steel stem sealed with an o-ring does not allow the contact with fluid.
- It is not necessary to use joints when mounting between two flanges.
- As a default, the sealing ring on the disc is EPDM. Various options are available, including NBR and VITON.
- Coatings that meet WRAS hygienic standards are available upon request.
- Drop-tight closure.
- AISI420 stainless steel spindle for high strength and corrosion resistance
- 100% of the valves are subjected to Hydrostatic tests according to EN 12266-1. Pressure for seat: PN x 1.1 , for shell: PN x 1.5



**RELIABILITY:** Valves manufactured according to the standards of national and international regulations, complying with the strictest quality controls, which provides a reliable, safe and resistant product, ideal for all types of hydraulic applications.

**DURABILITY:** the quality of the DENZ butterfly valve gives it great resistance over time.

**GOOD FINISH:** Interior and exterior coating with epoxy powder, with a thickness of 250 microns, it is a solid, resistant and very hard coating.

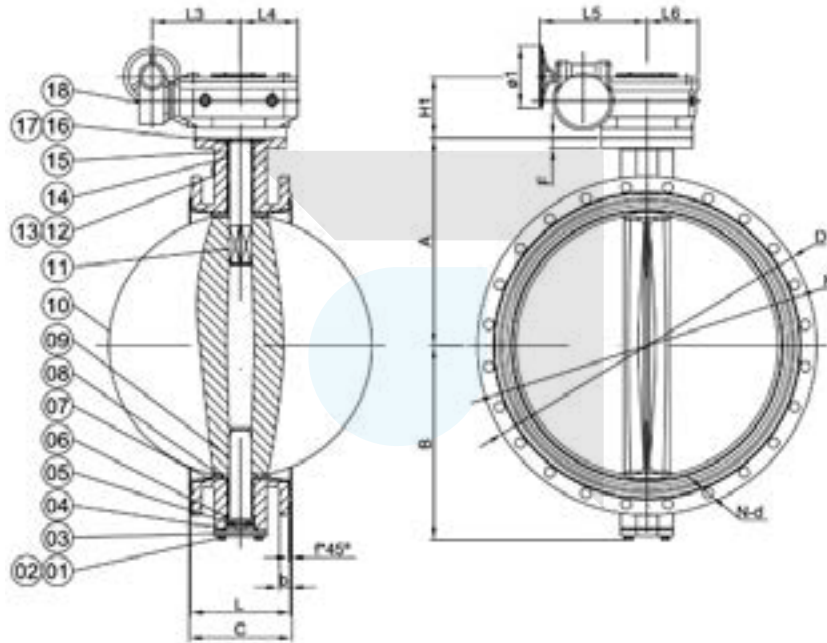
**EASE OF USE:** Its design gives you minimal operating torque, which means easier valve operation.

**VERSATILITY:** Different disc material options; Ductile iron, stainless steel or aluminum bronze. Different sealing material options; EPDM, NBR or VITON.





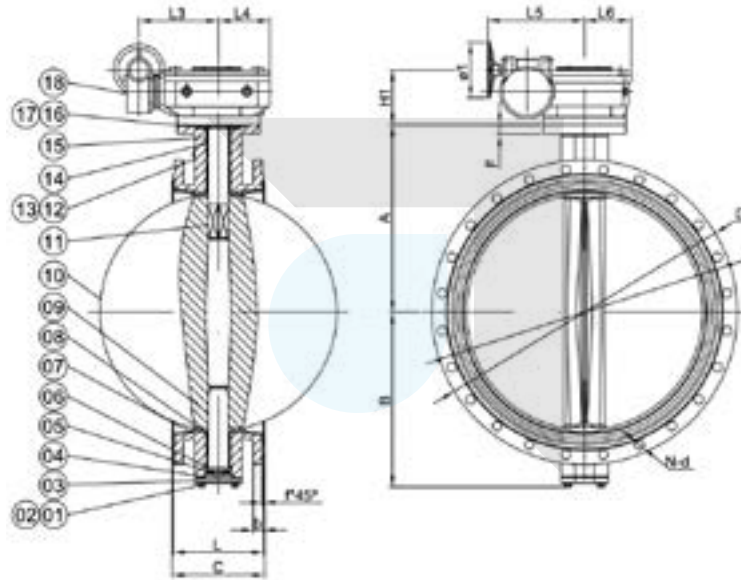
**Material List** <<<<



#	Part	Material
1	Bolt	Galvanized Steel 8.8 / A2 / A4
2	Washer	Galvanized Steel 8.8 / A2 / A4
3	End Cover	Ductile Iron EN-GJS-400/500 (GGG40/50)
4	O-Ring	EPDM / NBR
5	Bolt	Galvanized Steel 8.8 / A2 / A4
6	Washer	Stainless Steel A2 / A4
7	Body	Rubber coated Ductile Iron
8	Center Bearing	Bronze
9	Bottom Shaft	Stainless Steel AISI 420 / AISI 304 / AISI 316
10	Disc	Ductile Iron EN-GJS-400/500 (GGG40/50)
11	Upper Shaft	Stainless Steel AISI 420 / AISI 304 / AISI 316
12	Plate	Stainless Steel A2 / A4
13	Connection Part	Aluminum
14	Bearing	Bronze
15	O-Ring	EPDM / NBR
16	Connector	Stainless Steel A2 / A4
17	Bolt	Galvanized Steel 8.8 / A2 / A4
18	Gearbox	Ductile Iron EN-GJS-400/500 (GGG40/50)



## Dimensions



inch	DN	L	C	A	B	H	L1	L2	H1	L3	L4	L5	L6	Ø1
2"	50	108	111	120	80	28	52	267	40	53	45	53	155	150
2-1/2"	65	112	115	130	89	28	52	267	40	53	45	53	155	150
3"	80	114	117	145	95	28	52	267	40	53	45	53	155	150
4"	100	127	130	155	114	28	52	267	40	53	45	53	155	150
5"	125	140	143	170	125	28	52	267	40	53	45	53	155	150
6"	150	140	143	190	139	28	52	267	40	53	45	53	155	150
8"	200	152	155	25	170	38	75	359	40	76	63	76	237	300
10"	250	165	168	235	198				40	76	63	76	237	300
12"	300	178	182	280	223				46	78	78	78	255	300
14"	350	190	194	310	254				46	78	78	78	255	300
16"	400	216	221	340	306				110	181	104	254	104	285
18"	450	222	227	375	345				110	181	104	254	104	285
20"	500	229	234	430	378				110	181	104	254	104	285
24"	600	267	272	500	440				128	200	131	301	131	385
28"	700	292	299	560	510				157	228	146	355	146	385
32"	800	318	325	620	560				157	228	146	355	146	385
36"	900	330	337	685	638				170	243	170	378	170	385
40"	1.000	410	417	735	705				170	243	170	378	170	385
48"	1.200	470	478	917	815				209	302	250	476	180	500
56"	1.400	530	538	1.040	918				280	393	319	571	223	500
64"	1.600	600	610	1.150	1.115				303	448	425	665	316	600
72"	1.800	670	682	1.270	1.265				320	461	475	715	360	600
80"	2.000	760	772	1.350	1.323				430	695	562	949	405	600

Units: mm / indicative dimensions & weights